

REFERENCE ONLY  
(FOR INSTALLATION  
INTO FORK)

TORQUE:  
50±5 IN. LB.

210-22-446  
REBOUND KNOB

TORQUE:  
5.0±0.5 IN. LB.

LOCTITE:  
BLUE 242  
ONE DROP

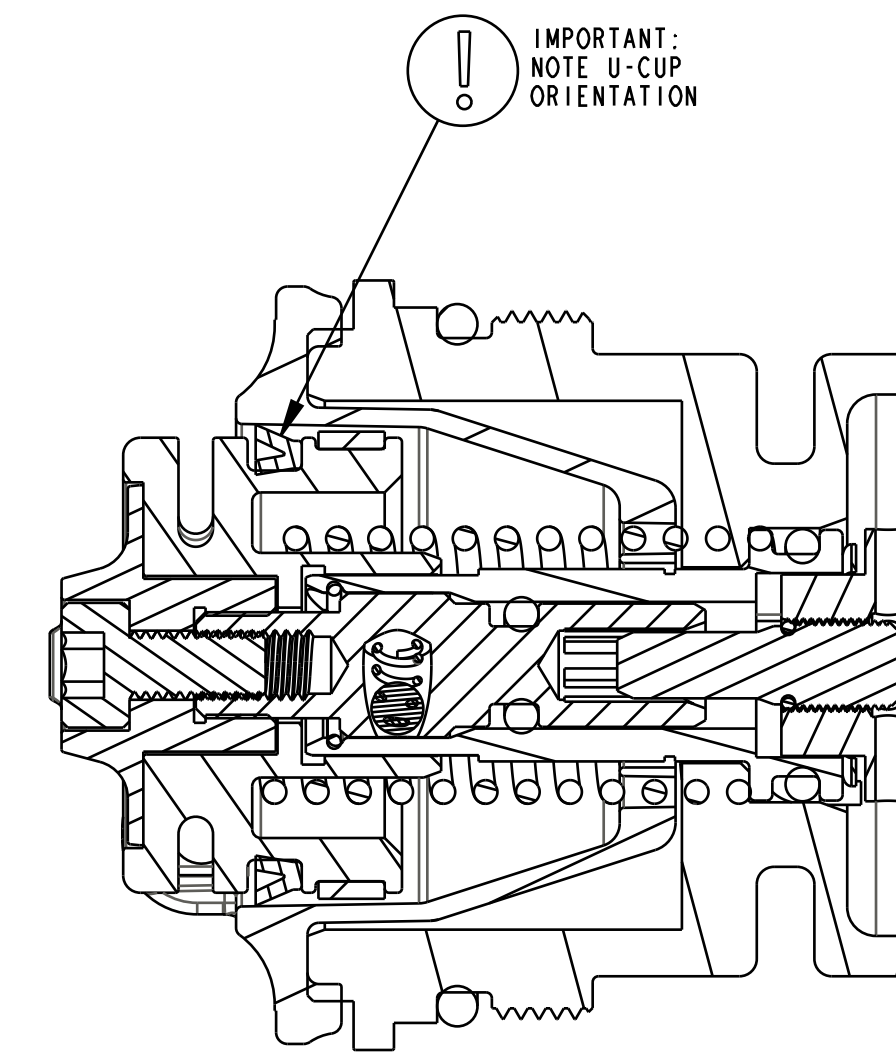
018-01-004-A  
Fastener, Standard: Screw [#8-32 X 0.250 TLG]

241-00-011  
BOTTOM NUT

241-01-011  
CRUSH WASHER

820-05-335-KIT  
BASE STUD INTERFACE PARTS

IMPORTANT:  
NOTE U-CUP  
ORIENTATION



DETAIL A  
SCALE 3.000

CARTRIDGE ASSY

820-05-332-KIT  
2016 FIT4 TopCap Interface Parts F-S Remote

019-01-095  
Fastener, Standard (Metric): Screw [M3 X 6mm] SHCS, Patchlock

210-22-946  
Remote Compression Adjust Knob, F-S, FIT4

GREASE:  
THIN LAYER OF  
BLUE MARINE GREASE

REFERENCE ONLY  
(FOR INSTALLATION  
INTO FORK)

TORQUE:  
220±5 IN. LB.

210-22-947  
Damping Adjust Part: Housing, Remote, Hubless, FIT4

039-00-291  
Spring: Torsion 2013 Damper CTD Remote, .048 Square Wire, 0.600 Mean Coil Diam (

002-02-050  
Bearing: External [0.115 W X 0.810 OD X 0.030 TH, Ø 0.750 Bore] Turcon,Blue,Ring

036-01-044  
Seals: U-Cup, Shore 70A, 2013 CTD-ADJ, Remote Fit-CTD and Remote O/C-CTD

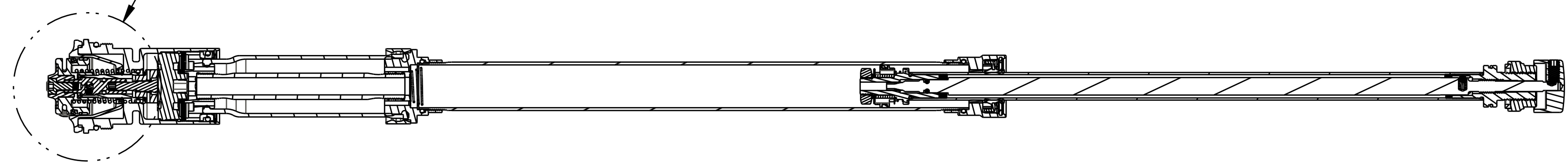
019-01-088  
Set Screw [M4x4mm], SST, Cup Point, Patchlock

210-22-945  
Cable Pulley, Remote, F-S, FIT4

TORQUE:  
11±3 IN. LB.

IMPORTANT:  
DO NOT ALLOW PULLEY  
TO ROTATE WHILE TORQUING

SEE DETAIL A



PROPRIETARY  
THIS DOCUMENT CONTAINS CONFIDENTIAL, PROPRIETARY INFORMATION  
THAT IS FOR PROPERTY. DO NOT DISCLOSE TO OR DUPLICATE  
FOR OTHERS EXCEPT AS AUTHORIZED BY FOX.

**FOX Factory, Inc.**  
130 Hangar Way, Watsonville, CA 95076 USA  
Ph 831-768-1100  
Fax 831-768-9312

TITLE  
**2016 Factory Series 36mm  
Remote FIT4 Cart Assy Complete**

SIZE DWG. NO.  
D

PLOT SCALE 1.00:1

SHEET 1 OF 1